

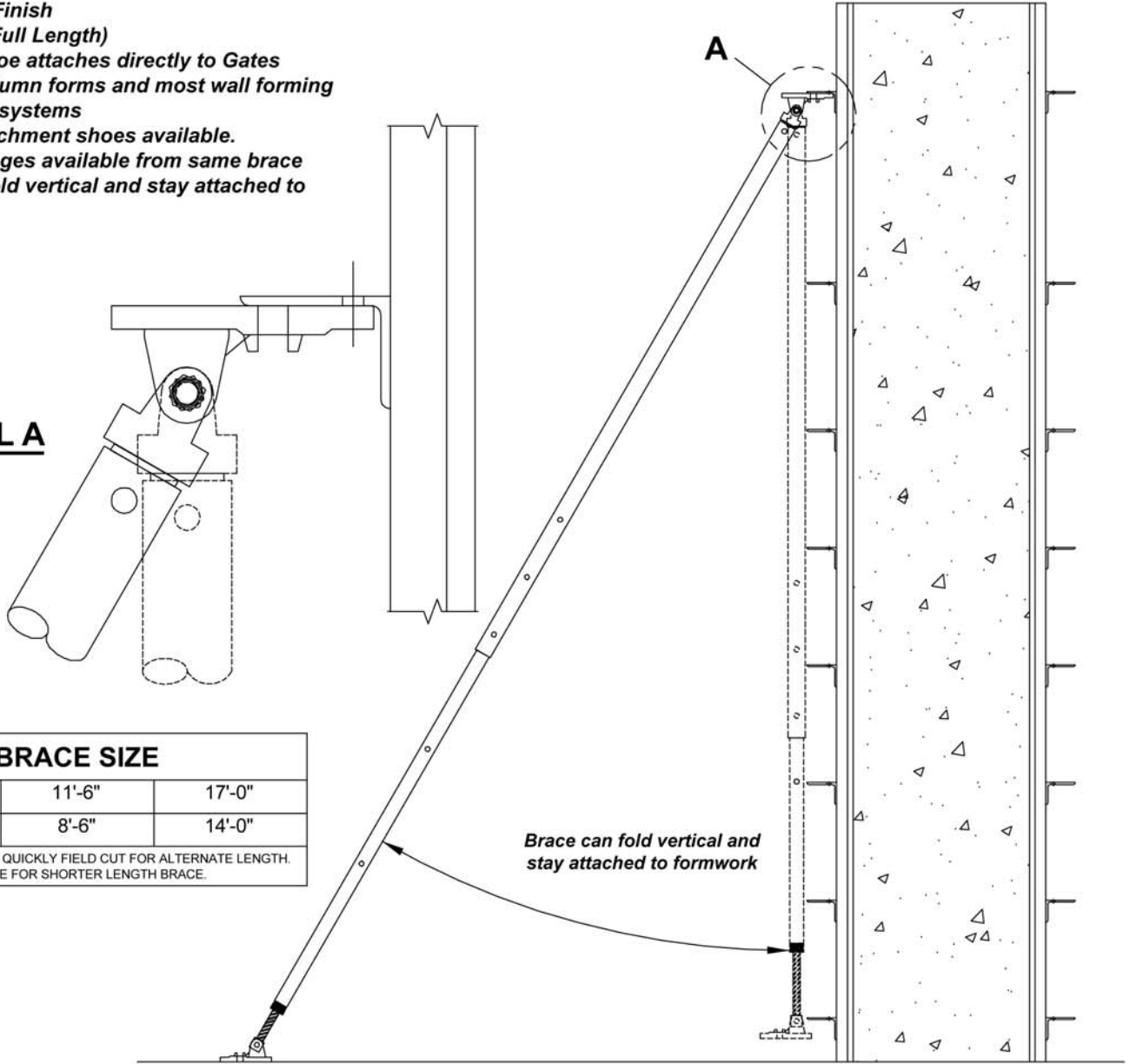
# GAMCO PUSH-PULL BRACE

The Gamco Push-Pull Brace is ideal for plumbing wall and column forms. Its unique and versatile design makes it compatible with virtually any brand forming system.

## PUSH-PULL BRACE FEATURES

- Galvanized Finish
- Under 70# (Full Length)
- Standard shoe attaches directly to Gates Lok-Fast column forms and most wall forming and column systems
- Custom attachment shoes available.
- Two size ranges available from same brace
- Brace can fold vertical and stay attached to formwork

### DETAIL A



### BRACE SIZE

STD	11'-6"	17'-0"
CUT*	8'-6"	14'-0"

\* NOTE: BRACE CAN BE QUICKLY FIELD CUT FOR ALTERNATE LENGTH. CUT 36" OFF INNER TUBE FOR SHORTER LENGTH BRACE.

Brace can fold vertical and stay attached to formwork



PHONE: 513-561-8331  
FAX: 513-561-7204  
3550 ROUND BOTTOM ROAD  
CINCINNATI, OH 45244  
[www.gamcoform.com](http://www.gamcoform.com)